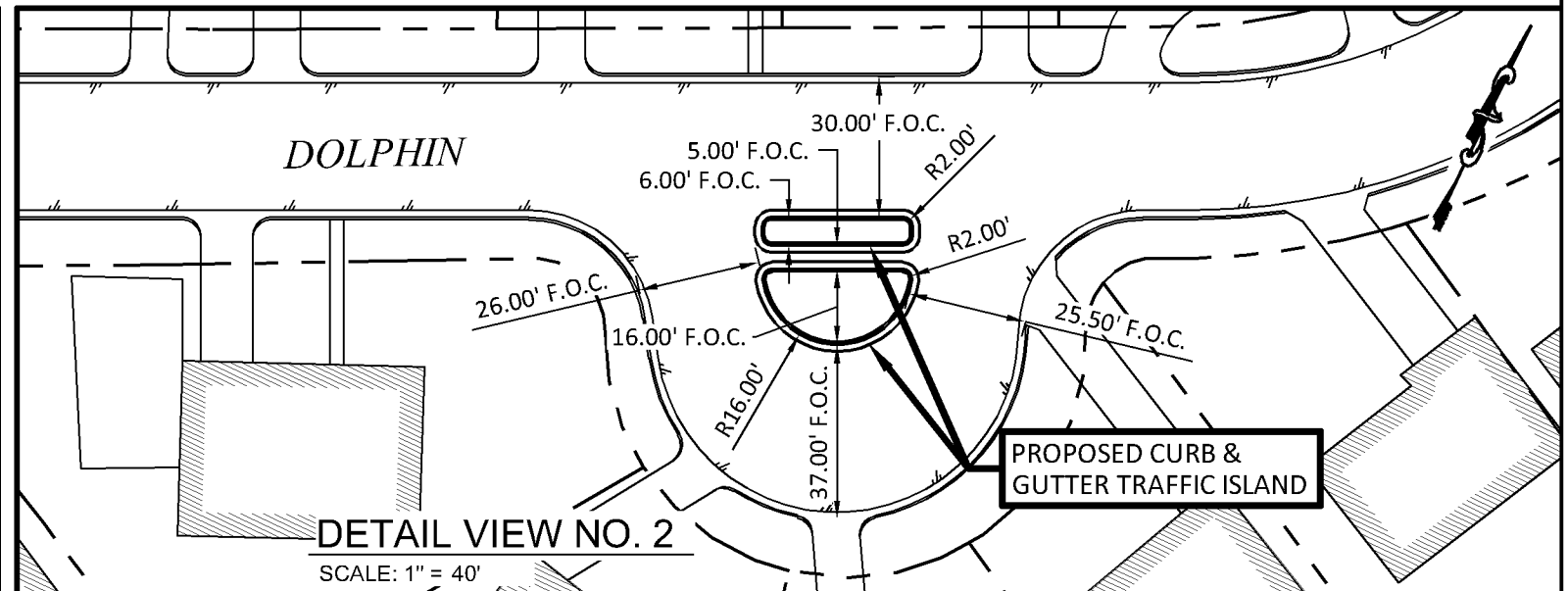
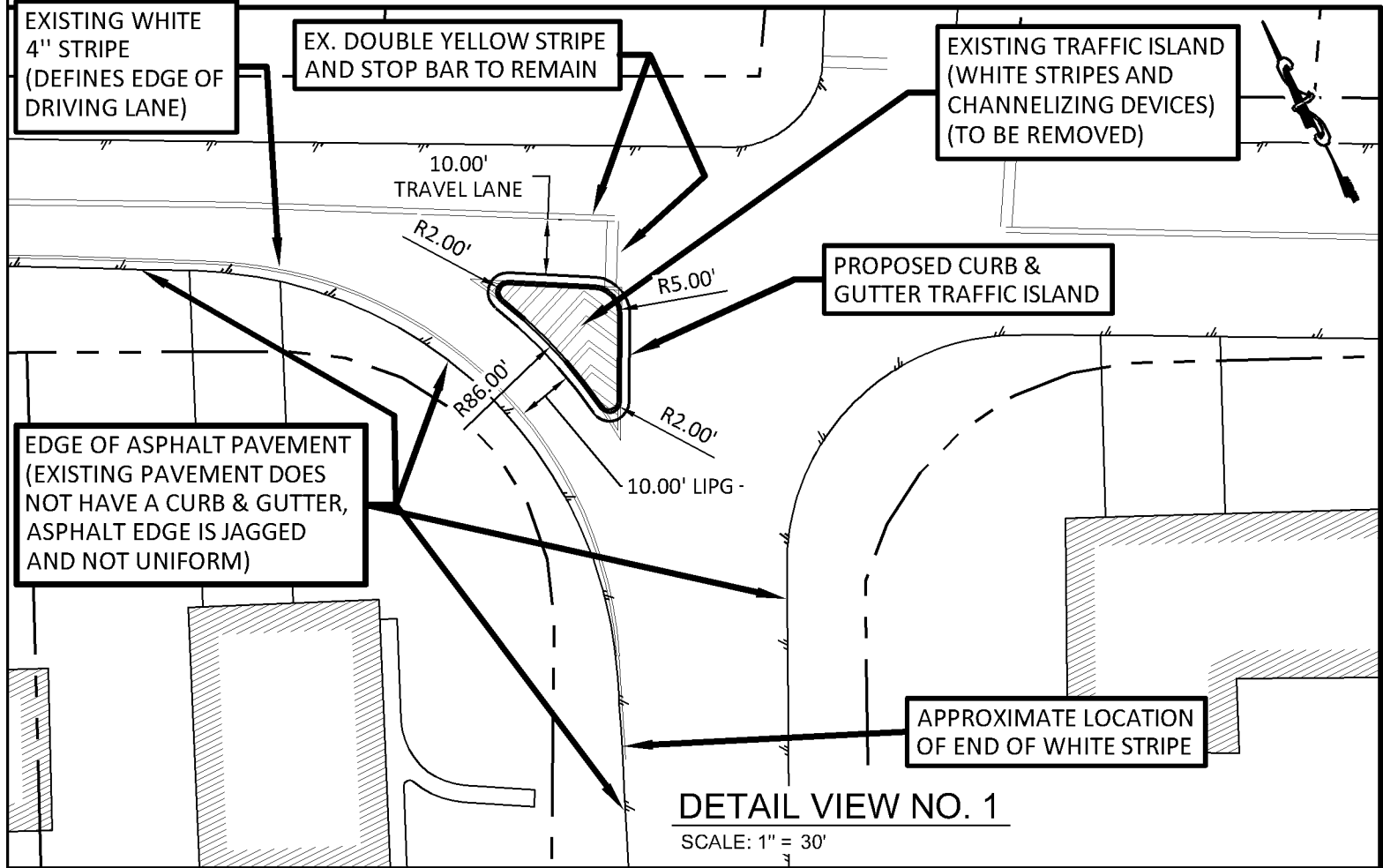


**LEGEND**

- F.O.C. MEASUREMENT FROM FACE OF CURB TO FACE OF CURB
- LIPG MEASUREMENT FROM LIP OF GUTTER TO LIP OF GUTTER
- TRAVEL LANE CLEAR DISTANCE FROM LIP OF GUTTER TO EDGE OF STRIPE



THIS DOCUMENT IS RELEASED FOR THE PURPOSE OF INTERIM REVIEW UNDER THE AUTHORITY OF JOHN R. KING, P.E. #58429 ON 9/28/2011. IT IS NOT TO BE USED FOR PERMITTING, BIDDING, OR CONSTRUCTION PURPOSES.

**LIGHTSEY ROAD & DOLPHINE DRIVE  
TRAFFIC CALMING**

	<p><b>CHAN &amp; PARTNERS ENGINEERING, LLC</b></p> <p>4319 JAMES CASEY STREET, #300 AUSTIN, TEXAS 78745 512-480-8155 (PH) • 512-480-8811 (FAX) E-mail: info@chanpartners.com WWW.CHANPARTNERS.COM TEXAS REGISTRATION NO. F-13013</p>	<p>SHEET 1 OF 1</p>
--	--	---------------------------------